

# Canopy Type A (Glo, Lit, Mom)



## TECHNICAL SHEET

### 0811-92

Mounting: a soffitto / ceiling

Environment: Indoor - IP20

Materials: Metallo / Metal

Voltage: 220-240V 50/60Hz

Lighting Control: on-off / dimmable DALI



### 0811-93\*

Mounting: incasso / recessed

Environment: Indoor - IP20

Materials: Metallo / Metal

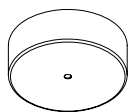
Voltage: 220-240V 50/60Hz



\*Cartongesso: foro Ø50 mm - spessore 10-15 mm

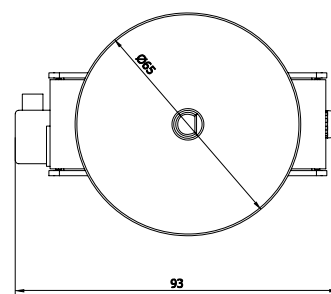
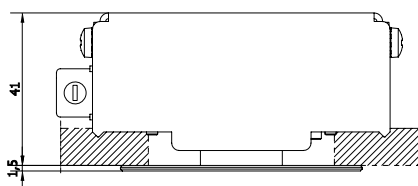
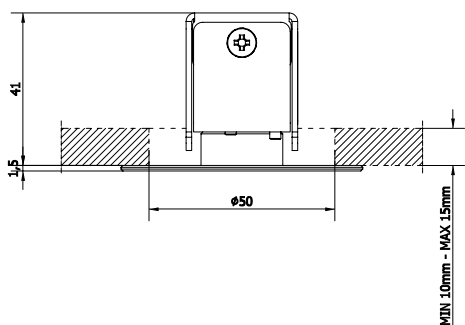
\*Plasterboard: hole Ø50 mm - thickness 10-15 mm

### 0811-92 CEILING



Ø11,3 x H3,5

### 0811-93 RECESSED



## Finiture / Finishes

---

### Ceiling canopy



Metallo verniciato nero opaco  
Matt black varnished metal



Metallo verniciato opaco titanio  
Matt titanium varnished metal



Metallo verniciato bianco opaco  
Matt white varnished metal

### Recessed canopy



Metallo verniciato bianco opaco  
Matt white varnished metal

## Codici/ Codes

---

| CODICI / CODES    | MISURA / SIZE          | STRUTTURA / STRUCTURE         | DIFFUSORE / SHADE | DETTAGLI / DETAILS |
|-------------------|------------------------|-------------------------------|-------------------|--------------------|
| 0811-92-1800-NXBE | canopy type A          | titanio opaco / matt titanium |                   | on-off             |
| 0811-92-0100-NXBE | canopy type A          | bianco opaco / matt white     |                   | on-off             |
| 0811-92-1100-NXBE | canopy type A          | nero opaco / matt black       |                   | on-off             |
| 0811-92-1800-PXBE | canopy type A          | titanio opaco / matt titanium |                   | dimnable DALI      |
| 0811-92-0100-PXBE | canopy type A          | bianco opaco / matt white     |                   | dimnable DALI      |
| 0811-92-1100-PXBE | canopy type A          | nero opaco / matt black       |                   | dimnable DALI      |
| 0811-93-0100-NXBE | canopy type A recessed | bianco opaco / matt white     |                   |                    |